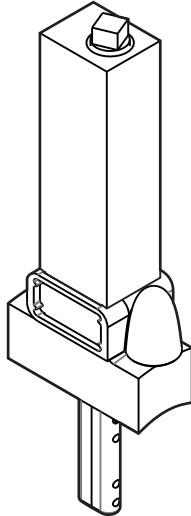


Flowmeter Sensor Installation Instructions F-300S / F-300SL

Check F-300 models to ensure flow switch / flow rate sensor is compatible.
F-300 flow meter float must be replaced with provided magnetized Yellow Float.
Note: F-300 may require more frequent cleaning if pool water contains metallic particles from rust or from stainless steel exposed to chlorine.



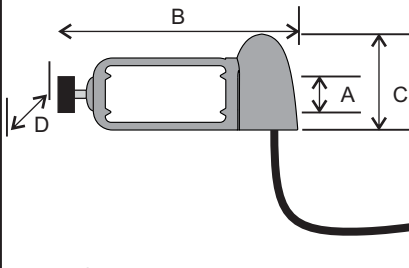
How do you know if your model F-300 is compatible for use with flow sensor?
F-300S is compatible with 1.5" - 4" models.
F-300SL is compatible with 1" - 1.25" models.



1. Specifications

Voltage	100 VAC or VDC Abs. Max.
Current	0.250 Amp AC/DC Abs. Max.
Power	5 Watts Max.
Contact Configuration	N.O.
Form	A, SPST
Housing Material	PVDF, Black
Lead type	Red & Black, #24 Gage, 5 feet

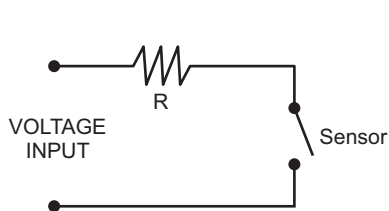
2. Dimensions



Approx. trigger range:
Contact will trigger (close) when magnetic float present (within range A).

A	0.26" (6.6mm)
B	2.8" (71mm)
C	1.3" (33mm)
D	1.3" (33mm)

3. Circuit Diagram



High surge currents may cause damage to the sensor and significantly reduce its life, the following circuit is, therefore, highly recommended.

VOLTAGE @ Max AMP. (V)	Minimum R (OHM) ± 20%
30 DC/AC @ .033 AMP.	1000
24 DC/AC @ .040 AMP.	680
12 DC/AC @ .083 AMP.	150
6 DC/AC @ .166 AMP.	36
4 DC/AC @ .250 AMP.	16

Blue-White

www.Blue-White.com

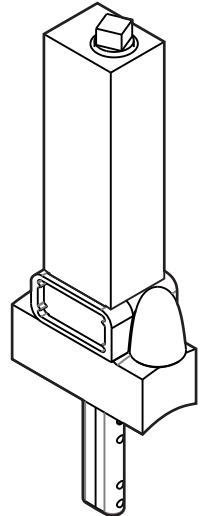
80000-575
20240708

Flowmeter Sensor Installation Instructions F-300S / F-300SL

Check F-300 models to ensure flow switch / flow rate sensor is compatible.
F-300 flow meter float must be replaced with provided magnetized Yellow Float.
Note: F-300 may require more frequent cleaning if pool water contains metallic particles from rust or from stainless steel exposed to chlorine.



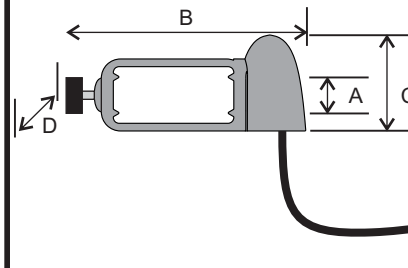
How do you know if your model F-300 is compatible for use with flow sensor?
F-300S is compatible with 1.5" - 4" models.
F-300SL is compatible with 1" - 1.25" models.



1. Specifications

Voltage	100 VAC or VDC Abs. Max.
Current	0.250 Amp AC/DC Abs. Max.
Power	5 Watts Max.
Contact Configuration	N.O.
Form	A, SPST
Housing Material	PVDF, Black
Lead type	Red & Black, #24 Gage, 5 feet

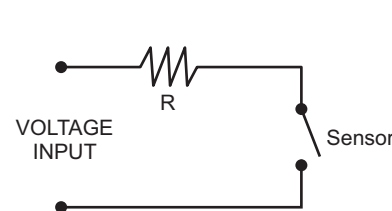
2. Dimensions



Approx. trigger range:
Contact will trigger (close) when magnetic float present (within range A).

A	0.26" (6.6mm)
B	2.8" (71mm)
C	1.3" (33mm)
D	1.3" (33mm)

3. Circuit Diagram



High surge currents may cause damage to the sensor and significantly reduce its life, the following circuit is, therefore, highly recommended.

VOLTAGE @ Max AMP. (V)	Minimum R (OHM) ± 20%
30 DC/AC @ .033 AMP.	1000
24 DC/AC @ .040 AMP.	680
12 DC/AC @ .083 AMP.	150
6 DC/AC @ .166 AMP.	36
4 DC/AC @ .250 AMP.	16

Blue-White

www.Blue-White.com

80000-575
20240708

4. Installation

Lock Screw (Thumb Screw) should be loosened (counter clockwise) so the sensor can slide with ease over the top of the F-300 flowmeter. Slide to desired location on flowmeter body. Secure with Lock Screw by tightening (rotate clockwise).

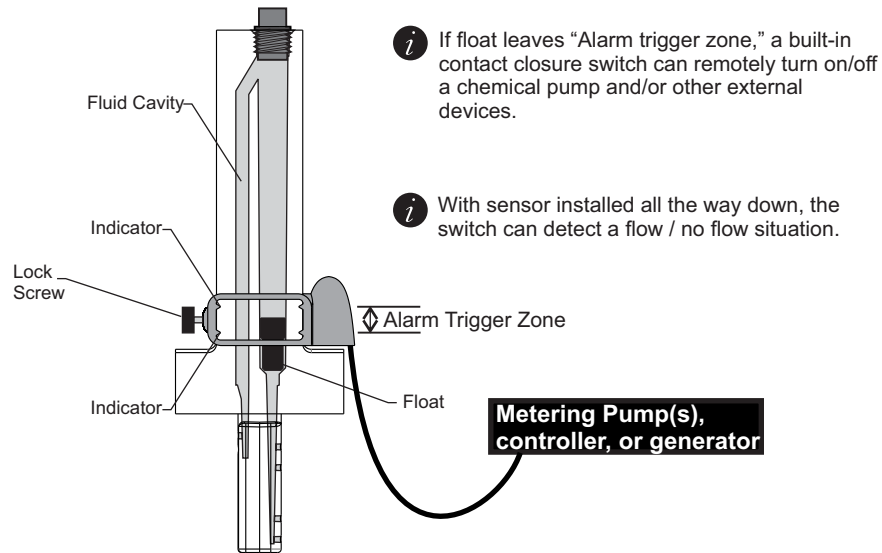
Sensor contact is **closed** when top of float is inside the Alarm Trigger Zone (Hysteresis)

Sensor contact is **open** when top of float is outside of the Alarm Trigger Zone

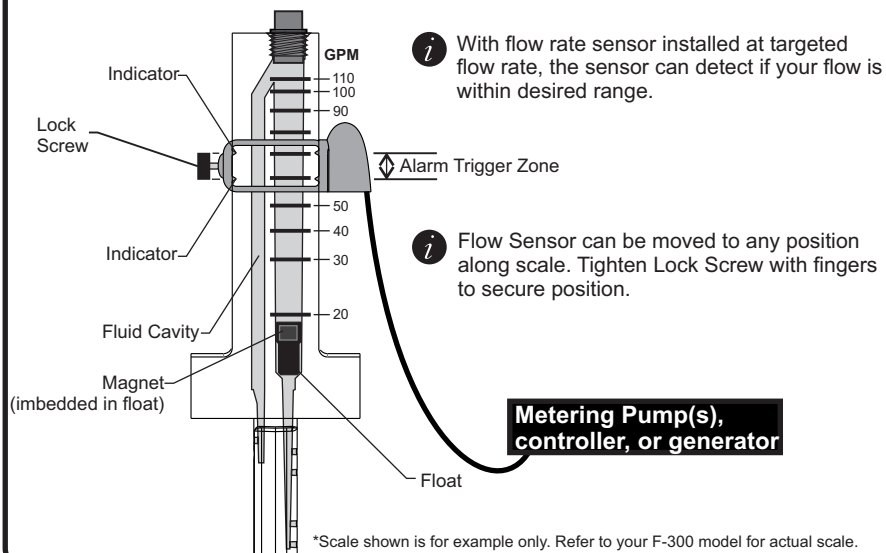
4.1) Flow Switch: See *Figure 1*

4.1) Flow Rate: See *Figure 2*

Flow Switch *Figure 1*



Flow Rate *Figure 2*



4. Installation

Lock Screw (Thumb Screw) should be loosened (counter clockwise) so the sensor can slide with ease over the top of the F-300 flowmeter. Slide to desired location on flowmeter body. Secure with Lock Screw by tightening (rotate clockwise).

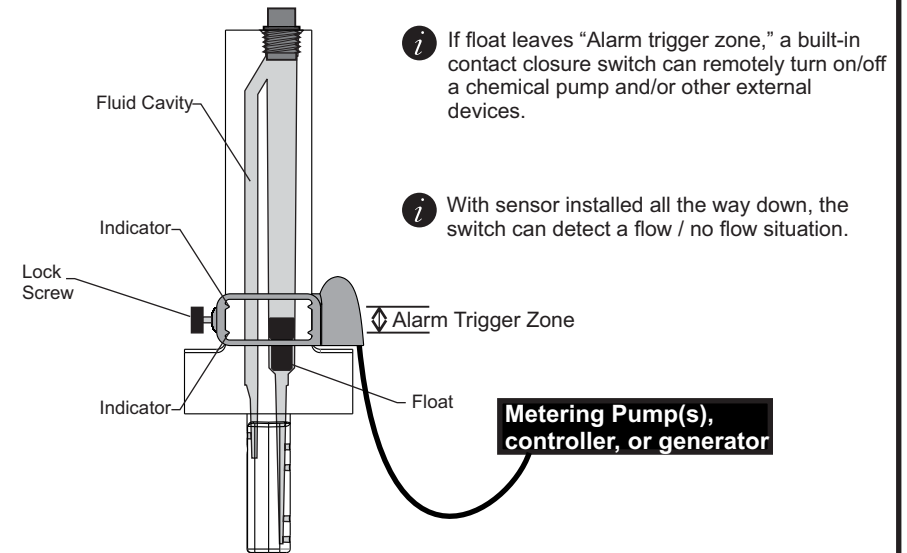
Sensor contact is **closed** when top of float is inside the Alarm Trigger Zone (Hysteresis)

Sensor contact is **open** when top of float is outside of the Alarm Trigger Zone

4.1) Flow Switch: See *Figure 1*

4.1) Flow Rate: See *Figure 2*

Flow Switch *Figure 1*



Flow Rate *Figure 2*

